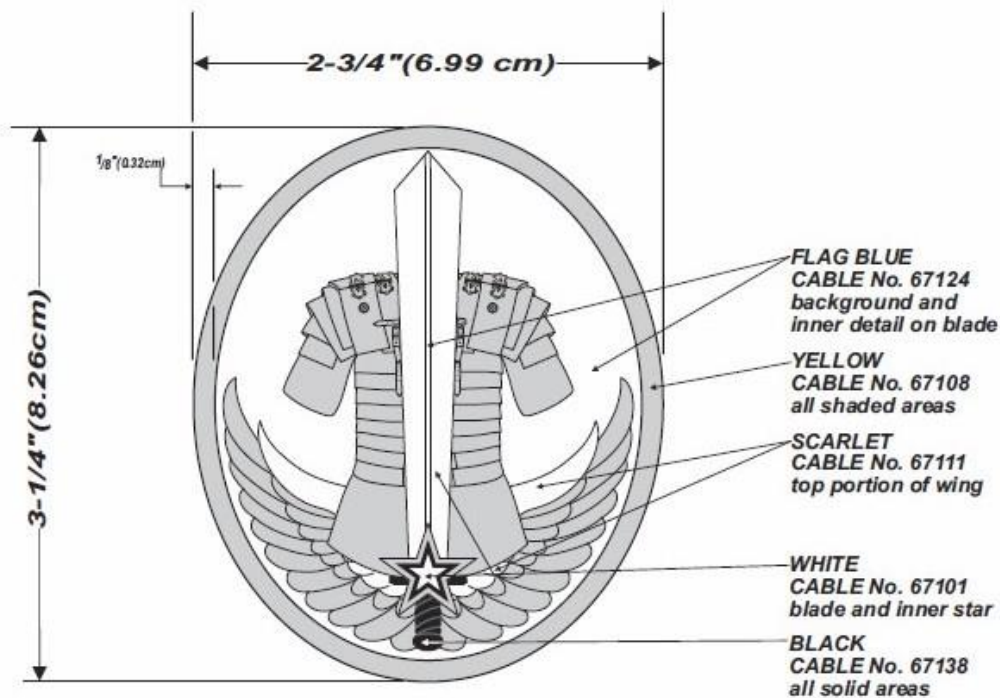


**FOR SUBDUED INSIGNIA**

**ACU:**  
 YELLOW, BLACK AND WHITE AREAS TO BE BLACK 67138.  
 \*EXCEPT YELLOW AND WHITE STARS TO BE FOLIAGE  
 GREEN 67202. BLUE AREAS TO BE FOLIAGE GREEN 67202.  
 RED AREA TO BE BROWN 67136.

**REVISIONS**

LTR	DESCRIPTION	DATE	APPROVED
B	STITCH COUNT ADDED.	08 JAN 2010	pm SAO TLC <i>Charles V. Mugno</i> CHARLES V. MUGNO DIRECTOR



**DESIGNED FOR OVEREDGE STITCHING**

**STITCH COUNT**

**10,783 STITCHES (minimum)**

**90/2 DENIER**

**12/4 SPAN**

UNLESS OTHERWISE SPECIFIED DIMENSIONS ARE IN INCHES TOLERANCES ON FRACTIONS DECIMALS ANGLES

EXAMINED	TLC	
CHECKED	pm	SAO
PREPARED	CA	

APPROVED  
*Charles V. Mugno*  
 CHARLES V. MUGNO  
 DIRECTOR

THE INSTITUTE OF HERALDRY, DEPARTMENT OF THE ARMY

9325 GUNSTON RD. S-113 FORT BELVOIR, VA 22060-5579

SHOULDER SLEEVE INSIGNIA

**ARMY RESERVE CAREERS  
 DIVISION**

SIZE	CONTROL IDENT. NO	
<b>A</b>	<b>22571</b>	<b>A - 1 - 1013</b>

SCALE FULL DATE 26 AUGUST 2006

MATERIALS:  
 TO BE MANUFACTURED IN ACCORDANCE WITH MIL-DTL-14652